

5  
YEAR  
WARRANTY!

120V  
220V  
System

230V  
400V  
System

T2

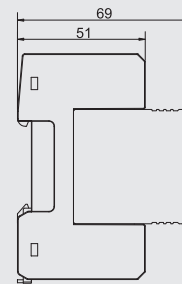
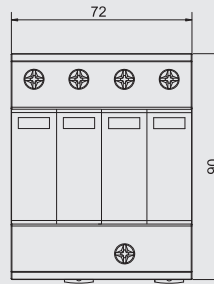
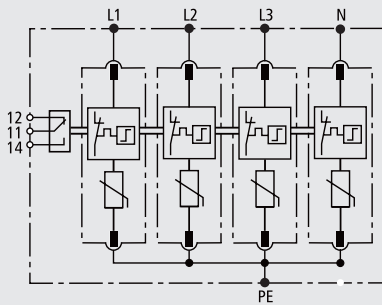
ISO9001



泰科天唯®  
**TYCOTIU**

# TY-40 4P

Type 2 Surge Arrester



	TY-40 150 4P	TY-40 275 4P	TY-40 320 4P	TY-40 385 4P	TY-40 440 4P	
SPD classification according to EN61643-11	Type 2	Type 2	Type 2	Type 2	Type 2	
SPD classification according to IEC61643-11	Class II	Class II	Class II	Class II	Class II	
Max. continuous operating a.c. voltage	Uc	150V	275V	320V	385V	440V
Nominal discharge current (8/20 μs)	In	20kA	20kA	20kA	20kA	20kA
Max. discharge current (8/20 μs)	I <sub>max</sub>	40kA	40kA	40kA	40kA	40kA
Voltage protection level	Up	≤0.8kV	≤1.3kV	≤1.5kV	≤1.8kV	≤2.0kV
Voltage protection level 5kA	Up	≤0.6kV	≤1kV	≤1.2kV	≤1.4kV	≤1.6kV
Max. backup fuse		125AgG	125AgG	125AgG	125AgG	125AgG
Response time	t <sub>A</sub>	≤25ns	≤25ns	≤25ns	≤25ns	≤25ns
Operating temperature range	T <sub>u</sub>	-40°C-80°C	-40°C-80°C	-40°C-80°C	-40°C-80°C	-40°C-80°C
Operating state/fault indication		green/red	green/red	green/red	green/red	green/red
Cross-section area (Min.)		4mm <sup>2</sup>	4mm <sup>2</sup>	4mm <sup>2</sup>	4mm <sup>2</sup>	4mm <sup>2</sup>
Cross-section area (Max.)		35mm <sup>2</sup>	35mm <sup>2</sup>	35mm <sup>2</sup>	35mm <sup>2</sup>	35mm <sup>2</sup>
For mounting on		35mm Din rail				
Enclosure material		Thermoplastic UL94-V0				
Degree of protection		IP20	IP20	IP20	IP20	IP20